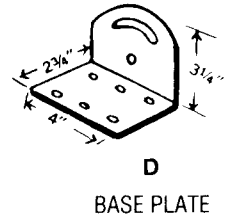
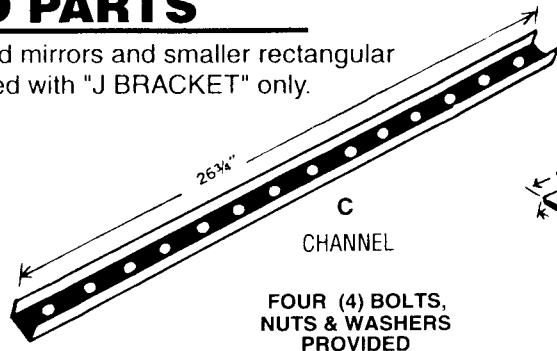
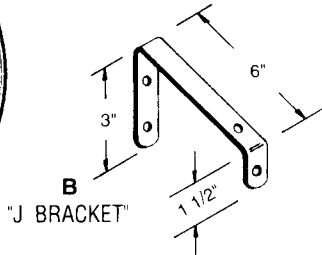
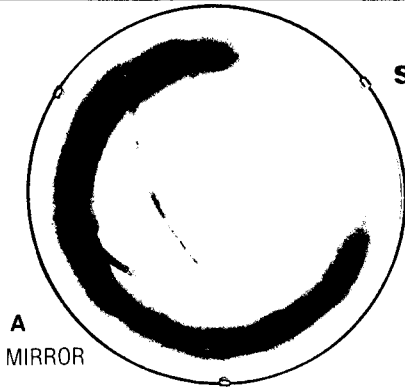


Convex Detection Mirrors

SUPPLIED PARTS

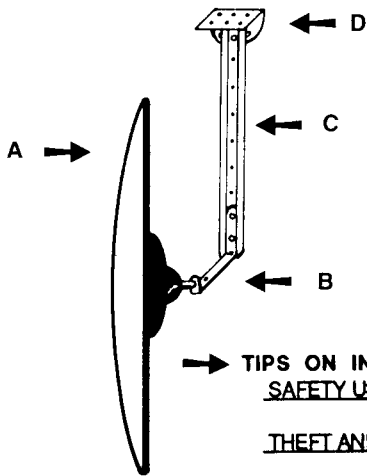
SPECIAL NOTE: 13" & 18" round mirrors and smaller rectangular mirrors supplied with "J BRACKET" only.



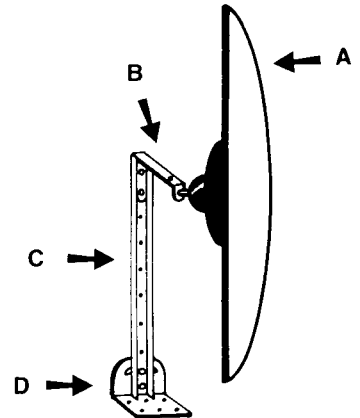
INSTALLATION INSTRUCTIONS

VARIOUS WAYS LARGE MIRRORS CAN BE INSTALLED USING BRACKETS PROVIDED

FOR SUSPENSION FROM CEILING, OR COUNTER TOP USE:



1. ATTACH BASE PLATE **D** TO CEILING OR COUNTER TOP.
2. ATTACH CHANNEL **C** TO BASE PLATE **D**.
3. ATTACH "J BRACKET" **B** TO CHANNEL **C**.
4. ATTACH MIRROR **A** TO "J BRACKET" **B** and ADJUST FOR ANGLE.
5. TIGHTEN SCREWS ON BALL BRACKET TO FIX MIRROR IN DESIRED POSITION.



TIPS ON INSTALLATION:

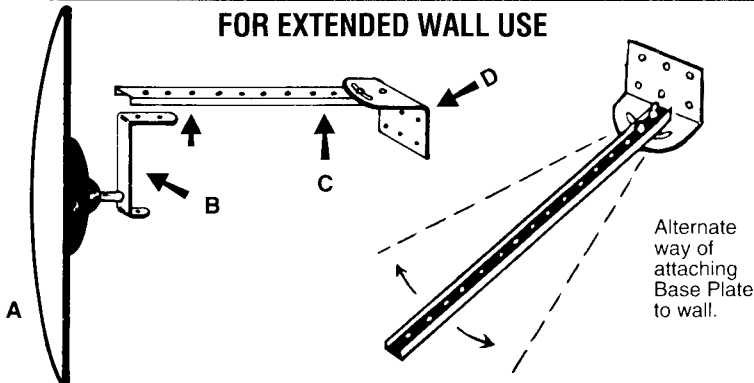
SAFETY USE (AVOIDING COLLISIONS AT INTERSECTIONS):

PLACE MIRRORS AS CLOSE TO EYE LEVEL AS PRACTICAL

THEFT AND INTRUSION PROTECTION (RETAIL STORES) PLACE MIRRORS UP HIGH

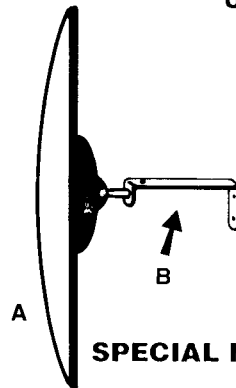
& IN A POSITION SO THAT IMAGE CAN BE SEEN BY ATTENDANT OVER AND BEHIND OBSTRUCT.

FOR EXTENDED WALL USE



1. ATTACH BASE PLATE **D** TO WALL.
2. ATTACH CHANNEL **C** TO BASE PLATE **D**.
3. ATTACH "J BRACKET" **B** TO CHANNEL **C**.
4. ATTACH MIRROR **A** TO "J BRACKET" **B** and ADJUST FOR PROPER ANGLE.
5. TIGHTEN SCREWS ON BALL BRACKET TO FIX MIRROR IN DESIRED POSITION.

FOR CLOSE WALL USE ON 13" TO 48" ROUND MIRRORS & ON SMALLER RECTANGULAR MIRRORS: USE "J BRACKET" ONLY.



1. ATTACH "J BRACKET" **B** TO WALL OR POST WITH SCREWS OR LAG BOLTS.
2. ATTACH MIRROR **A** TO BRACKET **B** and ADJUST ANGLE.
3. TIGHTEN SCREW ON BALL BRACKET TO FIX MIRROR IN DESIRED POSITION.

SPECIAL NOTE: 13" & 18" round mirrors and smaller rectangular mirrors supplied with "J BRACKET" only.



THERE IS NO EXPRESS OR IMPLIED WARRANTY AS TO THE USE OF THIS MIRROR FOR ANY PARTICULAR PURPOSE. CONVEX MIRRORS ARE KNOWN TO REFLECT A SMALLER IMAGE AND THE USER IS NOT TO RELY ON THE MIRROR TO JUDGE DISTANCE OF IMAGE, BUT ONLY THE FACT THAT THE IMAGE IS PRESENT, ON PUBLIC HIGHWAYS, A WARNING SIGN SHOULD BE ERECTED.